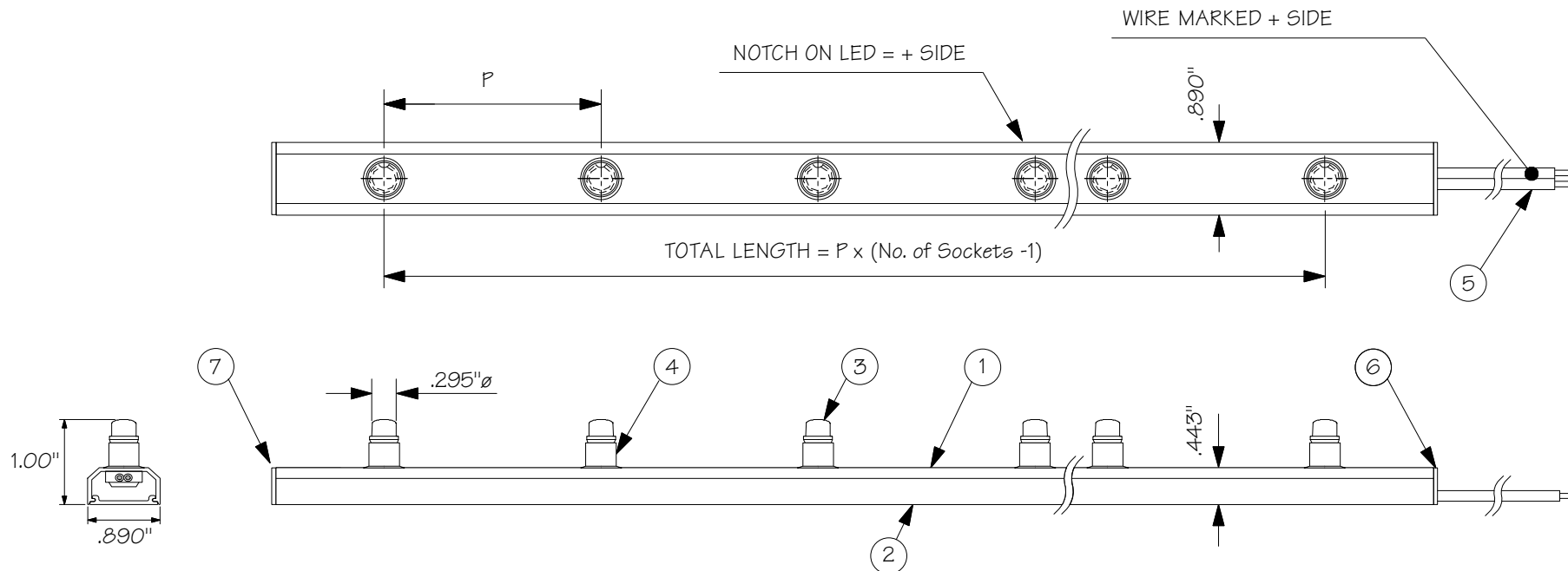


# TDR SERIES-0.40 WATT TOKILEDS®



CATALOG#	P (INCH)	EXTRUSION LENGTH	MAX. FIXTURE LENGTH
TDR-2-(LED CODE)	2 ± .08"	96.5"	16'
TDR-3-(LED CODE)	3 ± .08"	96.5"	25'
TDR-4-(LED CODE)	4 ± .08"	96.5"	30'
TDR-6-(LED CODE)	6 ± .08"	96.5"	36'

0.4 WATT TOKILEDS® 8VDC/50.0mA			
PART#	LED CODE	COLOR	LUMEN
TLED-WW-UB	WW-UB	2400K WHITE	11.0Lm
TLED-IW-UB	IW-UB	3000K WHITE	12.0Lm
TLED-WH-UB	WH-UB	6500K WHITE	14.0Lm



## TOKISTAR LIGHTING INC.

1015 E. DISCOVERY LANE  
ANAHEIM, CA 92801  
TEL: 714 772 7005 FAX: 714 772 7014  
email: info@tokistar.com Website: tokistar.com

TDR SERIES SUBMITTAL	NO.	PART	MATERIAL
CATALOG#: TDR-_(LED CODE)	1	EXTRUSION COVER	PVC
DATE: OCTOBER 10, 2013	2	EXTRUSION BASE	PVC
DRAWN BY: R. CORDOVA	3	LED	SOLID STATE LED
SCALE: 1:2	4	LAMP SOCKET	POLYCARBONATE WITH PLATED COPPER CONTACTS
WEIGHT: 65g/FT. @ 2"O.C.	5	LEAD WIRE	PVC INSULATION WITH PLATED #18 AWG X 2
	6	END CAP (FEED END)	PVC
	7	END CAP (DEAD END)	PVC