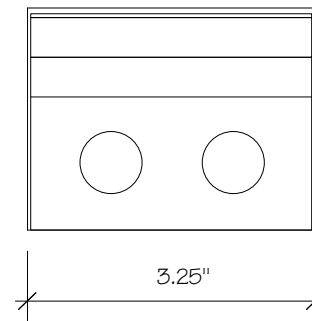
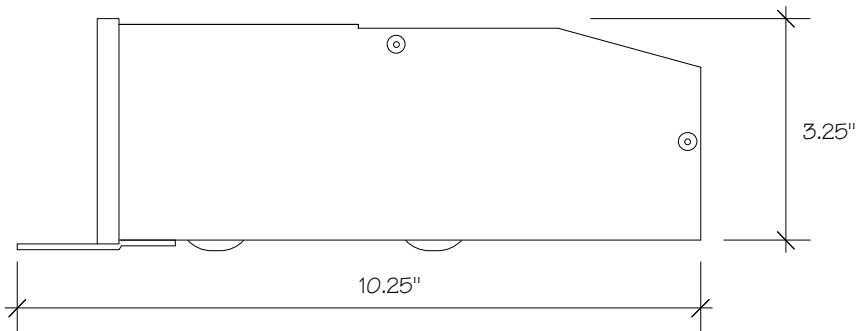
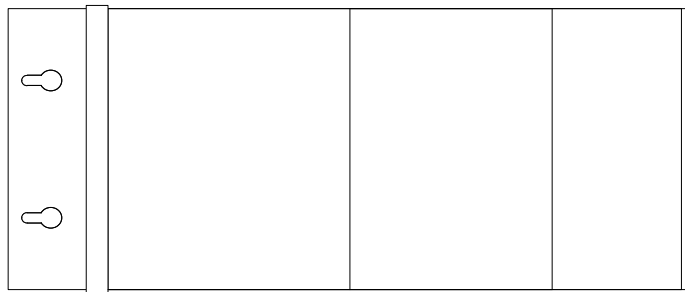


SPECIFICATIONS

1. INPUT IS 230 VAC / 50 HZ.
2. OUTPUT IS 12 VAC UNDER FULL-LOAD CONDITIONS.
3. ENCLOSURE TEMPERATURE DOES NOT EXCEED 65°C IN A 40°C AMBIENT, FULLY LOADED.
4. THE ACTUAL 150VA TRANSFORMER IS ENCAPSULATED IN THE ENCLOSURE.
5. THE TRANSFORMER IS DIMMABLE WITH ALL DIMMERS THAT PROVIDE A SYMMETRICAL FORM OF CURRENT UNDER ANY CONDITION.
6. INPUT LEADS ARE 18AWG; OUTPUT LEADS ARE 12AWG. LEAD INSULATION IS 105°C.
7. THE TRANSFORMER USES A CLASS B (130°C) INSULATION SYSTEM.
8. THE TRANSFORMER HAS ONE MANUAL RESET THERMAL 20A CIRCUIT BREAKER ON THE SECONDARY SIDE.
9. WIRING COMPARTMENT HAS 2 KNOCKOUTS SIZED FOR 3/4 INCH SCREW CABLE CONNECTORS.
10. THE WIRING COMPARTMENT COVER IS HINGED WITH RIVETS AND OPENS VERTICALLY FROM BOTTOM TO TOP.
11. THE ENCLOSURE IS RATED NEMA 3R. SUITABLE FOR WET LOCATIONS
12. THE TRANSFORMER IS CE MARKED IN ACCORDANCE WITH LOW-VOLTAGE DIRECTIVE 73/23/EEC.
13. WEIGHT: 6 lbs



TOKISTAR LIGHTING INC.

1015 EAST DISCOVERY LANE
ANAHEIM, CA 92801
TEL: 714 772 7005 FAX: 714 772 7014
email: info@tokistar.com Website: tokistar.com

T12/150-230: 150VA TRANSFORMER
INPUT: 230VAC / OUTPUT: 12VAC