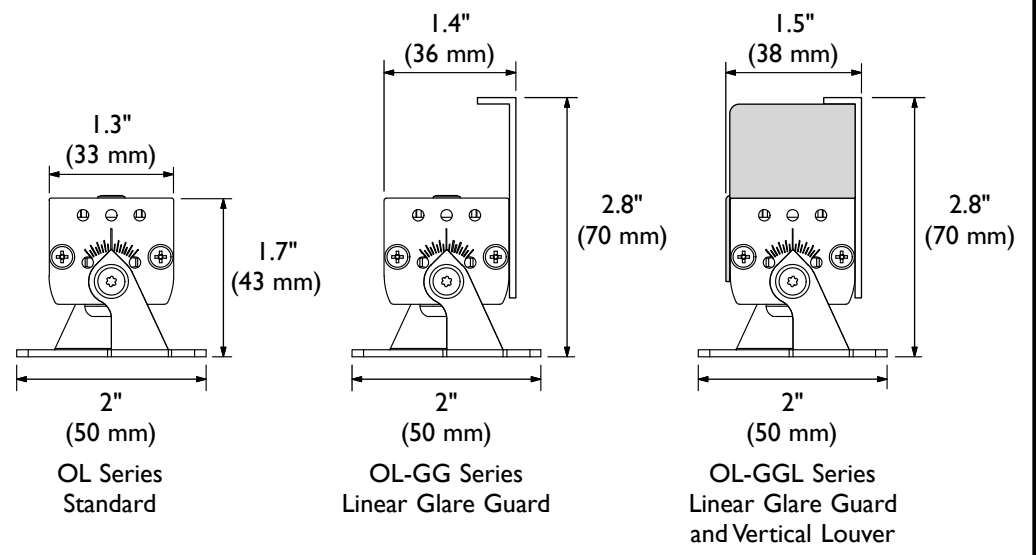
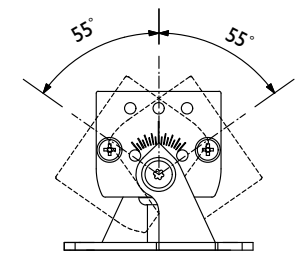
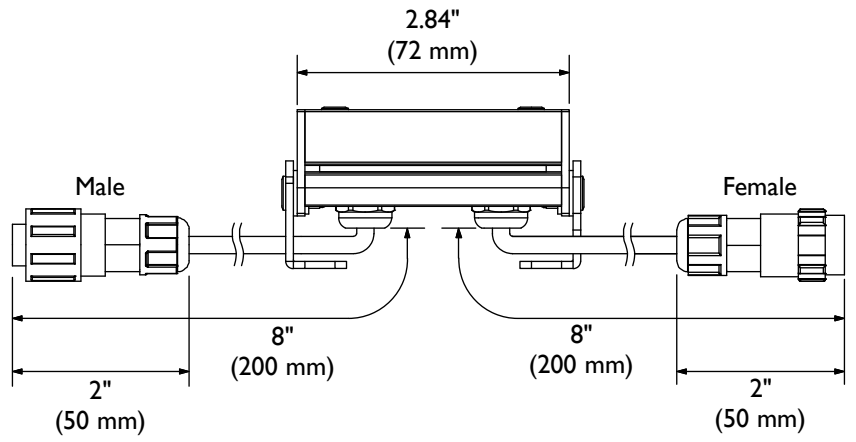
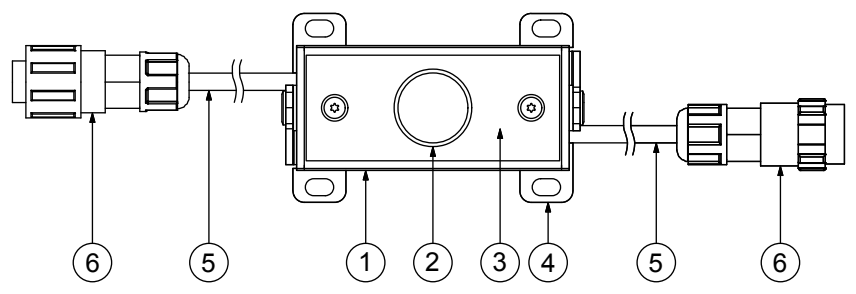


# O'Links Series - I LED Fixture Submittal



Catalog#	Watts Per Fixture	Max. Length
OL-(2700, 3000, 4000)-I5D-I	2.1	18 Fixtures (37.8W)
OL-GG-(2700, 3000, 4000)-I5D-I	2.1	18 Fixtures (37.8W)
OL-GGL-(2700, 3000, 4000)-I5D-I	2.1	18 Fixtures (37.8W)

O'Links Series Specifications	
Current: 700mA	
Power: 2.1 W Per LED	
IP Rating: 66	
CRI Value: 85	
Color	Output
2700K	150 Lm Per LED
3000K	160 Lm Per LED
4000K	180 Lm Per LED



**TOKISTAR LIGHTING INC.**  
 1015 E. DISCOVERY LANE  
 ANAHEIM, CA 92801  
 TEL: 714 772 7005 FAX: 714 772 7014  
 email: info@tokistar.com Website: tokistar.com

O'Links Series Submittal		No.	Part	Material
Catalog#: OL-(GG, GGL)-(2700, 3000, 4000)-I5D-I		1	Extrusion	Anodized Aluminum
Date: December 1, 2018		2	LED	Solid State LED
Drawn By: R. Cordova		3	Cover	Anodized Aluminum
Scale: 1:2		4	Adjustable Mounting Bracket	Stainless Steel
Weight: 170g per fixture		5	Power Cable	PVC Insulation (#18 AWG x 2)
		6	Connectors	Nylon (weather-resistant) IP67 rating