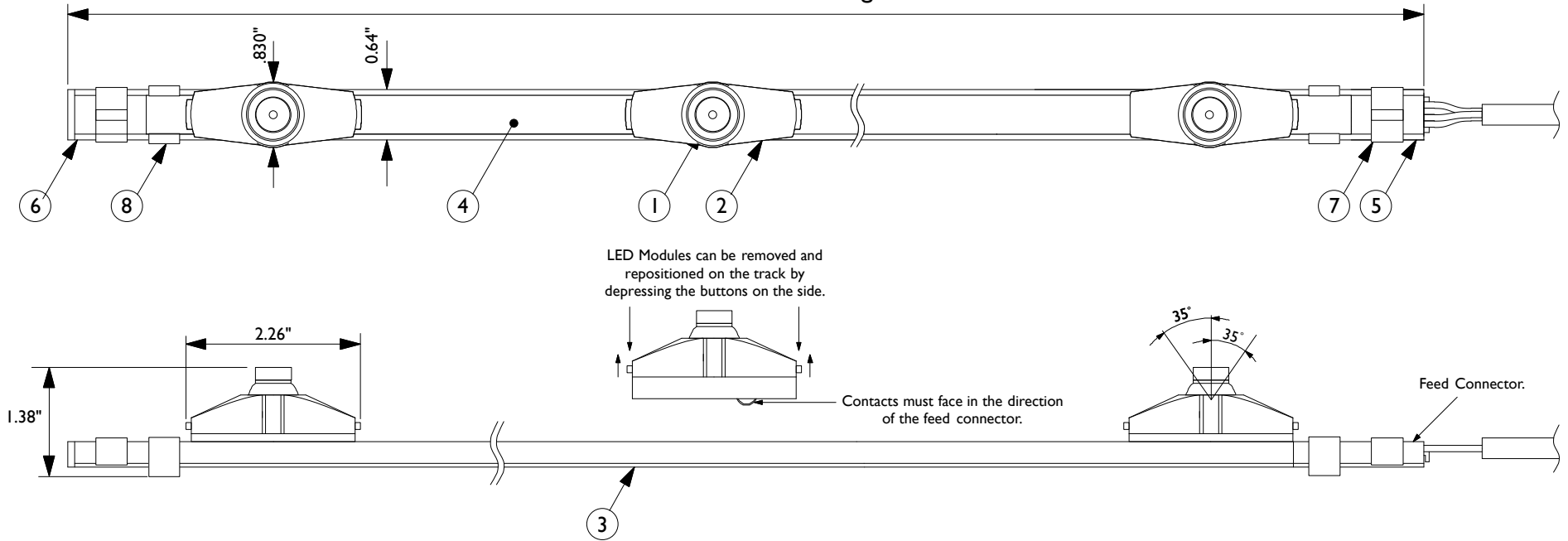


96" Maximum Track Length



Specify By Catalog Number
MTK - 3000 - 24 - B

LED Color		Lens Style		Module Color	
Code	Color	Code	Style	Code	Color
2700	2700	16	16°	S	Silver
3000	3000	24	24°	B	Black
4000	4000	30	30°	W	
5000	5000				

Secondary Circuit Limitation: 4 Amps (96 watts @ 24VDC)
 Maximum LED Modules Per Circuit: 60 ea. 1.6 Watt Modules

Micro Tracklight Specifications

Input Voltage: 24 VDC		
Current: 67mA Per LED Module		
Power: 1.6 W Per LED Module		
Beam: 16°, 24°, 30°		
LED Code	Color	Output
2700	2700K	16°=97 lm, 24°=97 lm, 30°=80 lm
3000	3000K	16°=97 lm, 24°=97 lm, 30°=80 lm
4000	4000K	16°=105 lm, 24°=105 lm, 30°=85 lm
5000	5000K	16°=105 lm, 24°=105 lm, 30°=85 lm



TOKISTAR LIGHTING INC.

1015 E. DISCOVERY LANE
 ANAHEIM, CA 92801
 TEL: 714 772 7005 FAX: 714 772 7014
 email: info@tokistar.com Website: tokistar.com

Micro Tracklight Submittal	No.	Part	Material
Catalog #: MT-XXXX-XX-X	1	LED	Solid-State LED
Date: May 1, 2016	2	LED Module	Aluminum
Drawn By: R. Cordova	3	Rail	Rigid Polycarbonate
Scale: 1:2	4	Spacer	Polyvinyl Chloride
Weight: 46g per ft.	5	Feed End	Rigid Polycarbonate w/ 5' lead
	6	End Cap	Rigid Polycarbonate
	7	Retainer Clip	Metal
	8	Mounting Clamp	Rigid Polycarbonate