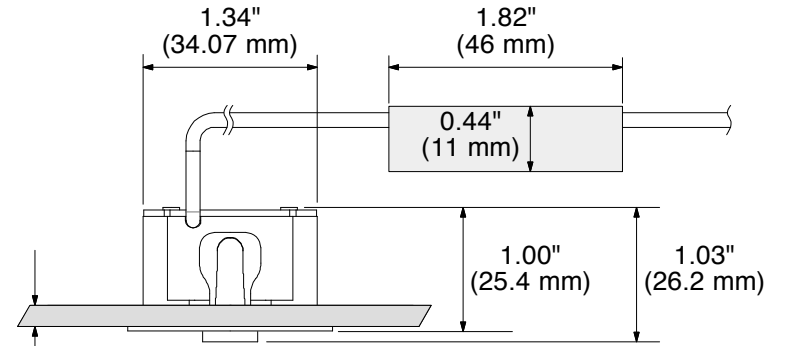
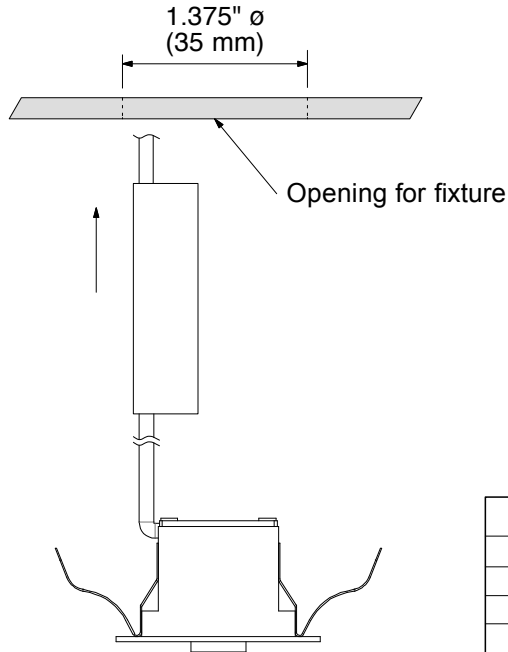
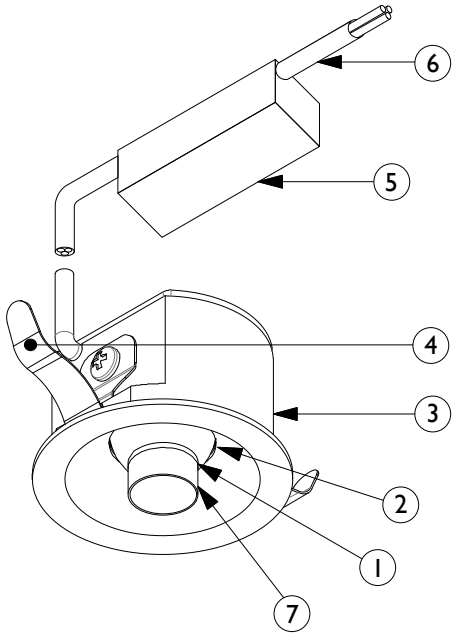


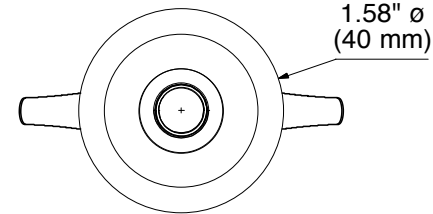
# Specify By Catalog Number

MDL - 2700 - 16 - S

LED Color		Lens Style		Fixture Color	
Code	Color	Code	Style	Code	Color
2700	2700	16	16°	S	Silver
3000	3000	24	24°	B	Black
4000	4000	30	30°	W	White
5000	5000				



Suggested Panel thickness for installation is 0.08" (2 mm) to 0.59" (15 mm). For use on flat surfaces only.



Micro Downlight Specifications		
Input Voltage: 24 VDC		
Current: 67mA Per LED Module		
Power: 1.6 W Per LED Module		
Beam: 16°, 24°, 30°		
LED Code	Color	Output
2700	2700K	16°=97 lm, 24°=97 lm, 30°=80 lm
3000	3000K	16°=85 lm, 24°=85 lm, 30°=70 lm
4000	4000K	16°=105 lm, 24°=105 lm, 30°=85lm
5000	5000K	16°=105 lm, 24°=105 lm, 30°=85 lm



## TOKISTAR LIGHTING INC.

1015 E. DISCOVERY LANE  
ANAHEIM, CA 92801  
TEL: 714 772 7005 FAX: 714 772 7014  
email: info@tokistar.com Website: tokistar.com

Micro Downlight Submittal	No.	Part	Material
Catalog #: MDL-XXXX-XX-X	1	LED	Solid-State LED
Date: June 28, 2016	2	Rotating Eyeball	Aluminum
Drawn By: R. Cordova	3	Housing	Aluminum
Scale: NTS	4	Retainer Clip	Stainless Steel
Weight: 54.3g ea.	5	Circuit Board Casing	Hot Melt
	6	Wire	PVC Insulation with #21 AWG x 3 (1.5 meter length)
	7	PVC	Snoot