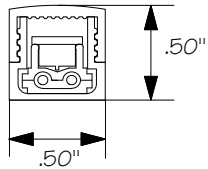
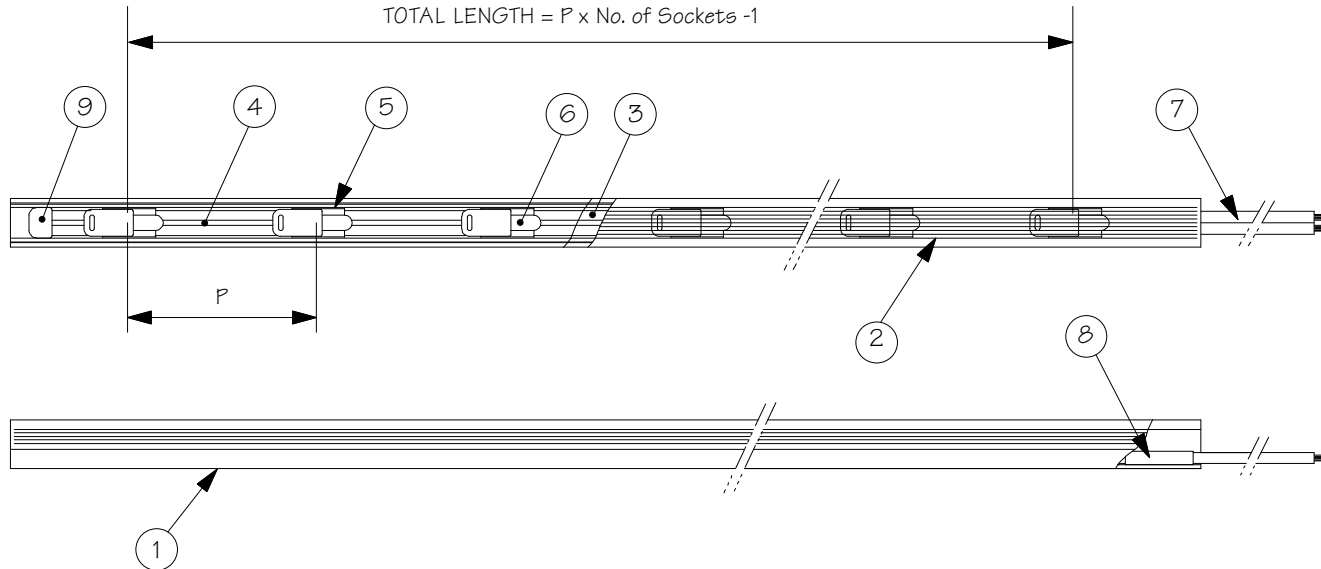


MC Series-0.9 Watt INCANDESCENT LAMP



SCALE: 1:1

CATALOG#	P (INCH)	MAX. LENGTH
MC(W,C,WD,CD)-30-202	1.2 ± .08	6 FT.
MC(W,C,WD,CD)-50-202	2 ± .08	11 FT.
MC(W,C,WD,CD)-80-202	3 ± .12	16 FT.
MC(W,C,WD,CD)-100-202	4 ± .16	21 FT.
MC(W,C,WD,CD)-150-202	6 ± .20	26 FT.

SERIES CODE
 MCW = WHITE BASE
 MCC = CLEAR BASE
 MCWD = WHITE BASE WITH DIFFUSER
 MCCD = CLEAR BASE WITH DIFFUSER

0.9 WATT INCANDESCENT LAMP 12VAC/75mA			
PART#	LAMP CODE	COLOR	LUMEN
CL-202	202	2000K WHITE	2.1 Lm



TOKISTAR LIGHTING INC.

1015 E. DISCOVERY LANE
 ANAHEIM, CA 92801
 TEL: 714 772 7005 FAX: 714 772 7014
 email: info@tokistar.com Website: tokistar.com

MC SERIES SUBMITTAL

CATALOG#: MC_--202

DATE: NOVEMBER 5, 2010

DRAWN BY: R. CORDOVA

SCALE: 1:2

WEIGHT: 49g/ft.

NO.	PART	MATERIAL
1	BASE	POLYCARBONATE
2	COVER	POLYCARBONATE
3	DIFFUSER (OPTIONAL)	POLYESTER
4	CABLE	PVC INSULATION WITH PLATED #18 AWG x 2
5	SOCKET	POLYCARBONATE
6	LAMP	INCANDESCENT LAMP
7	LEAD WIRE	PVC INSULATION WITH PLATED #18 AWG x 2
8	CORD PROTECTOR	PVC
9	END CAP	PVC