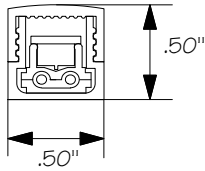
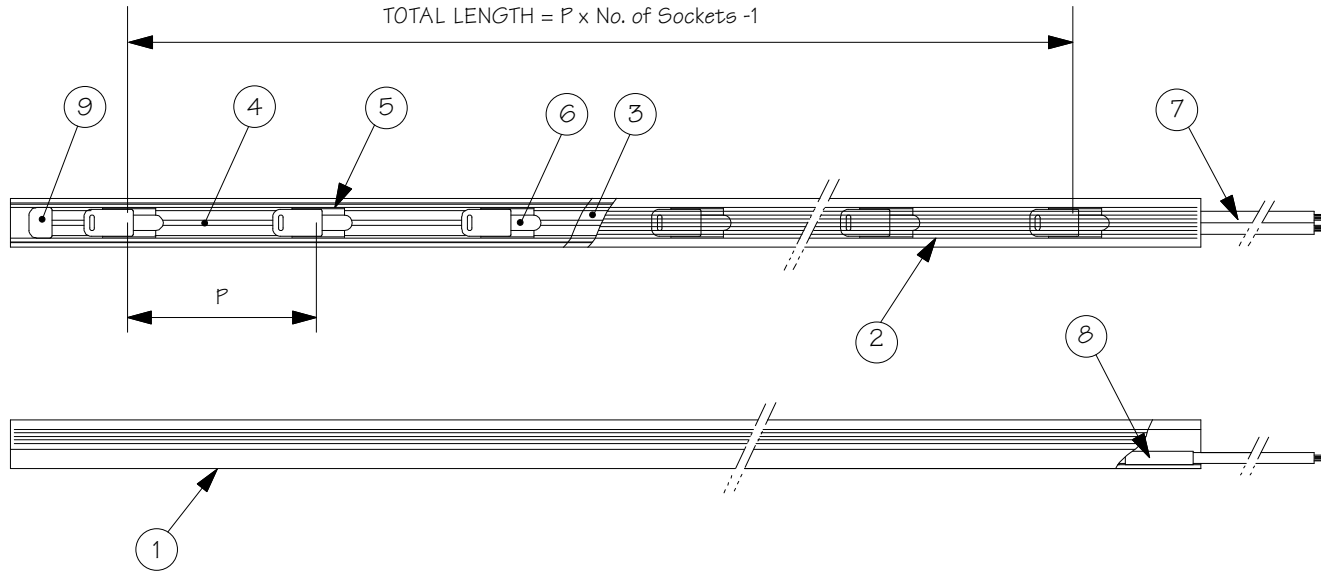


MC Series-0.48 Watt INCANDESCENT LAMP



SCALE: 1:1

CATALOG#	P (INCH)	MAX. LENGTH
MC(W,C,WD,CD)-30-201	1.2 ± .08	12 FT.
MC(W,C,WD,CD)-50-201	2 ± .08	20 FT.
MC(W,C,WD,CD)-80-201	3 ± .12	24 FT.
MC(W,C,WD,CD)-100-201	4 ± .16	30 FT.
MC(W,C,WD,CD)-150-201	6 ± .20	36 FT.

SERIES CODE
 MCW = WHITE BASE
 MCC = CLEAR BASE
 MCWD = WHITE BASE WITH DIFFUSER
 MCCD = CLEAR BASE WITH DIFFUSER

0.48 WATT INCANDESCENT LAMP 12VAC/40mA			
PART#	LAMP CODE	COLOR	LUMEN
CL-201	201	1800K WHITE	0.44 Lm

NO.	PART	MATERIAL
1	BASE	POLYCARBONATE
2	COVER	POLYCARBONATE
3	DIFFUSER (OPTIONAL)	POLYESTER
4	CABLE	PVC INSULATION WITH PLATED #18 AWG x 2
5	SOCKET	POLYCARBONATE
6	LAMP	INCANDESCENT LAMP
7	LEAD WIRE	PVC INSULATION WITH PLATED #18 AWG x 2
8	CORD PROTECTOR	PVC
9	END CAP	PVC



TOKISTAR LIGHTING INC.

1015 E. DISCOVERY LANE
 ANAHEIM, CA 92801
 TEL: 714 772 7005 FAX: 714 772 7014
 email: info@tokistar.com Website: tokistar.com

MC SERIES SUBMITTAL

CATALOG#: MC_--201

DATE: NOVEMBER 5, 2010

DRAWN BY: R. CORDOVA

SCALE: 1:2

WEIGHT: 49g/ft.