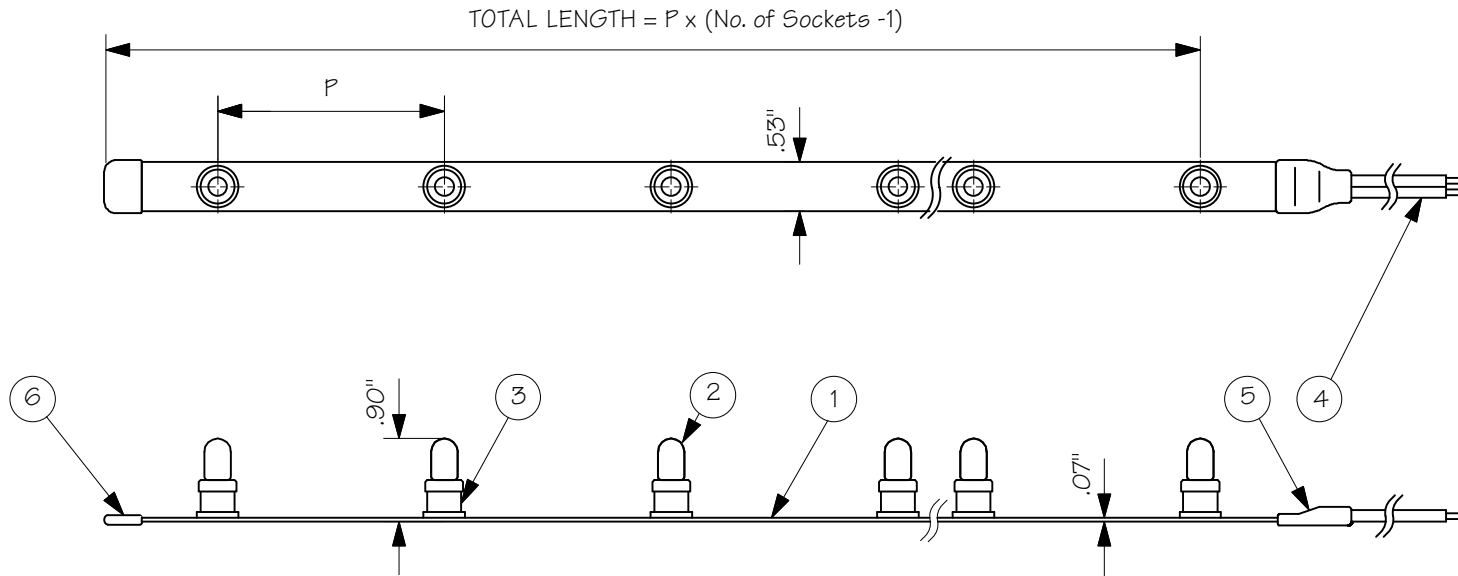


LS-2.8 Watt Incandescent



CATALOG#	P (INCH)	MAX. LENGTH
LSW-30-106a	1.2 ± .08	10 FT.
LSW-50-106a	2 ± .08	16 FT.
LSW-80-106a	3 ± .12	28 FT.
LS(W,C,B)-100-106a	4 ± .16	30 FT.
LS(W,C,B)-150-106a	6 ± .20	39 FT.
LS(W,C,B)-300-106a	12 ± .40	55 FT.

2.8 WATT LAMP 24VAC/117mA			
PART#	LAMP CODE	COLOR	LUMEN
TB-106a	106a	2200K WHITE	12Lm

LS CABLE COLOR CODE: W=WHITE, C=CLEAR, B=BROWN
 CLEAR AND BROWN AVAILABLE IN 4", 6" AND 12" SPACING ONLY



TOKISTAR LIGHTING INC.

1015 E. DISCOVERY LANE
 ANAHEIM, CA 92801
 TEL: 714 772 7005 FAX: 714 772 7014
 email: info@tokistar.com Website: tokistar.com

TAPELIGHT SERIES SUBMITTAL	NO.	PART	MATERIAL
CATALOG#: LS_-_106a	1	CABLE	PVC INSULATION WITH PLATED COPPER CONDUCTOR
DATE: DECEMBER 20, 2012	2	LAMP	INCANDESCENT LAMP
DRAWN BY: R. CORDOVA	3	SOCKET	POLYCARBONATE WITH PLATED COPPER CONTACTS
SCALE: 1:2	4	LEAD WIRE	PVC INSULATION WITH PLATED #12 AWG X 2
WEIGHT: 30g/ft.	5	CORD PROTECTOR	PVC
	6	END CAP	PVC