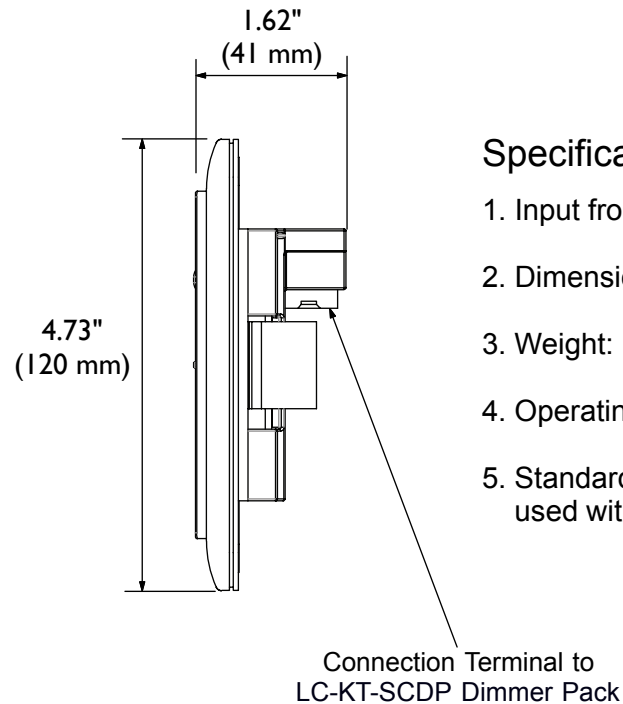
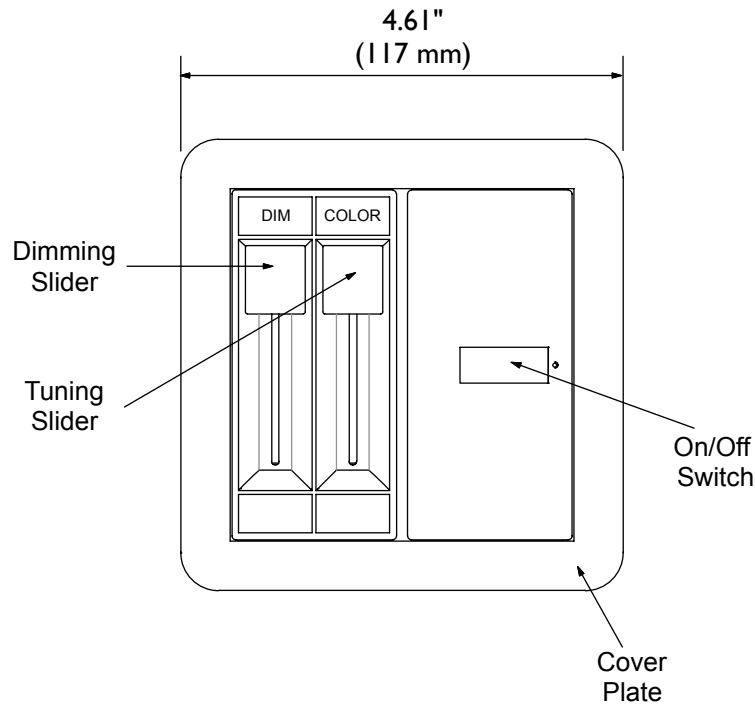


Our proprietary dimming system provides the ability to tune in a kelvin temperature with one slide, and full-range dimming of the selected choice with the other. The LC-KT-DMR Wall Dimmer connects to our LC-KT-SCDP Dimmer Pack. Up to 25 LC-KT-DP Dimmer Packs may be connected in series to the LC-KT-SCDP if the total length of all CAT5 cable does not exceed 165 feet from the wall dimmer to the last dimmer pack. Power to the wall dimmer is provided from the LED Driver powering the first Dimmer Pack.



### Specifications

1. Input from: LC-KT-SCDP Dimmer Pack
2. Dimensions: 1.62" D x 4.61" W x 4.73" H
3. Weight: 190g / 0.42 lbs
4. Operating Temperature: 0-40°C
5. Standards: ETL LISTED to UL 2108 when used with Tokistar lighting products



#### TOKISTAR LIGHTING INC.

1015 EAST DISCOVERY LANE  
ANAHEIM, CA 92801  
TEL: 714 772 7005 FAX: 714 772 7014  
email: info@tokistar.com Website: tokistar.com

LC-KT-DMR: Wall Dimmer  
Input from: LC-KT SCDP Dimmer Pack