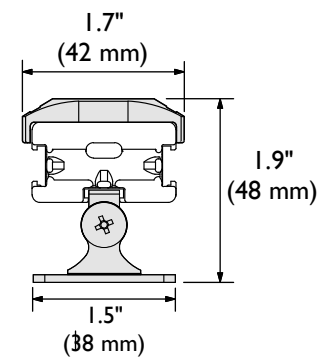
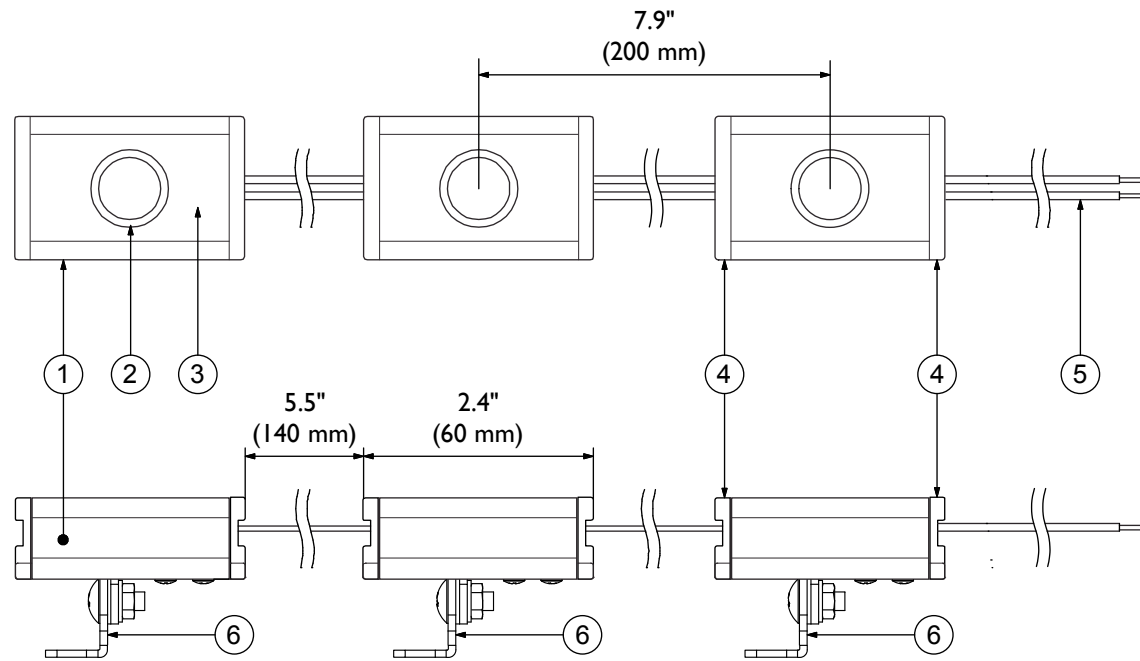
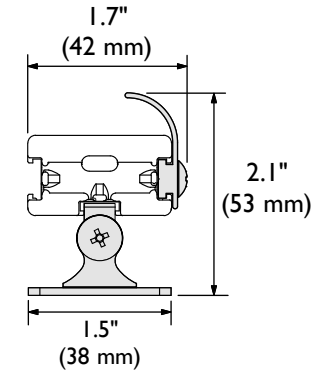


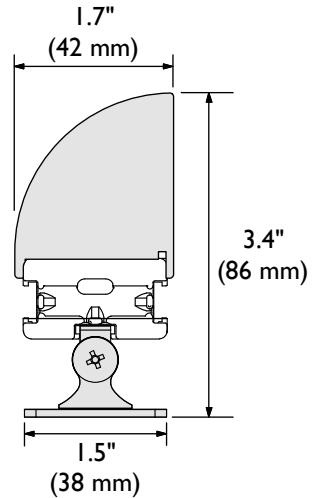
I'Links Series Submittal with Adjustable Bracket



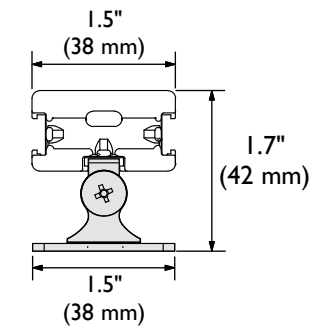
Adjustable Bracket with Honeycomb Louver



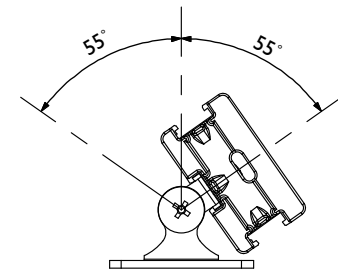
Adjustable Bracket with Glare Guard



Adjustable Bracket with Vertical Louver



Adjustable Bracket



| Catalog# | Watts Per Module | Max. Length | Weight Per Module |
|---|------------------|--------------------|-------------------|
| IL-(2700, 3000, 4000)-(8D, 15D, SP)-AB | 2.1 | 18 Modules (37.8W) | 71g |
| IL-(2700, 3000, 4000)-(8D, 15D, SP)-AB-VL | 2.1 | 18 Modules (37.8W) | 89g |
| IL-(2700, 3000, 4000)-(8D, 15D, SP)-AB-HL | 2.1 | 18 Modules (37.8W) | 74g |
| IL-(2700, 3000, 4000)-(8D, 15D, SP)-AB-GG | 2.1 | 18 Modules (37.8W) | 83g |

Lens Code
 8D = 8°
 15D = 15°
 SP = Spread Lens

| I'Links Series Specifications | |
|-------------------------------|----------------|
| Current: 700mA | |
| Power: 2.1 W Per LED | |
| CRI Value: 85 | |
| Color | Output |
| 2700K | 150 Lm Per LED |
| 3000K | 160 Lm Per LED |
| 4000K | 180 Lm Per LED |



TOKISTAR LIGHTING INC.
 1015 E. DISCOVERY LANE
 ANAHEIM, CA 92801
 TEL: 714 772 7005 FAX: 714 772 7014
 email: info@tokistar.com Website: tokistar.com

| I'Links Series Submittal with Adjustable Bracket | No. | Part | Material |
|---|-----|--------------------|-------------------|
| Catalog#: IL-(2700, 3000, 4000)-(Lens Code)-AB-(VL, HL, GG) | 1 | Extrusion | Anodized Aluminum |
| Date: December 1, 2018 | 2 | LED | Solid State LED |
| Drawn By: R. Cordova | 3 | Cover | Polycarbonate |
| Scale: 1:2 | 4 | End Plate | Polycarbonate |
| | 5 | Lead Wire | #18 AWG x 2 |
| | 6 | Adjustable Bracket | Stainless Steel |