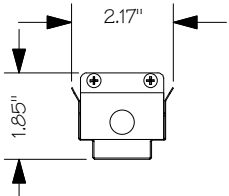
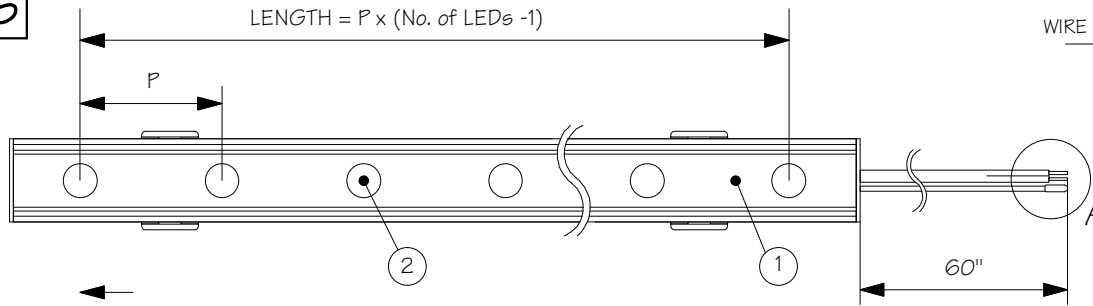
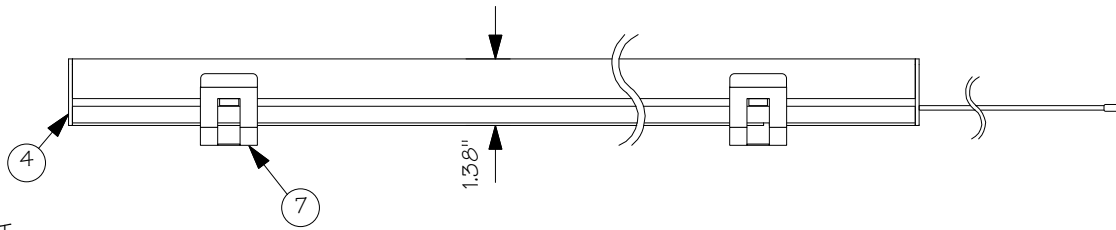


# GRADIENT SERIES

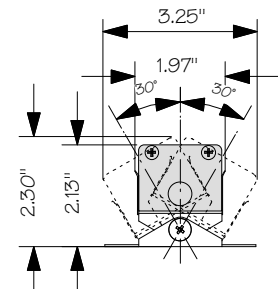
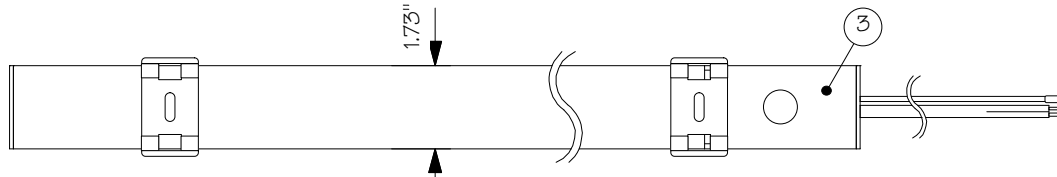
TOP VIEW: EXTRUSION W/MOUNTING BRACKET



END VIEW: EXTRUSION W/MOUNTING BRACKET



BOTTOM VIEW: EXTRUSION W/MOUNTING BRACKET



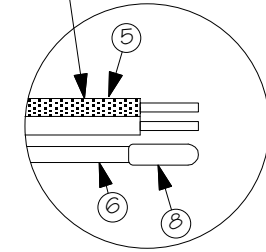
END VIEW: ADJUSTABLE PIVOTING BRACKET  
NOT TO SCALE

CATALOG#	P (INCH)	LENS	MAX. LENGTH	WEIGHT
GR-75-(IW, NW)-SP	3 ± .08"	SPREAD	7.87 FT.	360g/ft.
GR-75-(IW, NW)-08D	3 ± .08"	8°	7.87 FT.	360g/ft.
GR-75-(IW, NW)-20D	3 ± .08"	20°	7.87 FT.	360g/ft.
GR-75-(IW, NW)-40D	3 ± .08"	40°	7.87 FT.	360g/ft.
GR-100-(IW, NW)-SP	4 ± .08"	SPREAD	7.87 FT.	320g/ft.
GR-100-(IW, NW)-08D	4 ± .08"	8°	7.87 FT.	320g/ft.
GR-100-(IW, NW)-20D	4 ± .08"	20°	7.87 FT.	320g/ft.
GR-100-(IW, NW)-40D	4 ± .08"	40°	7.87 FT.	320g/ft.

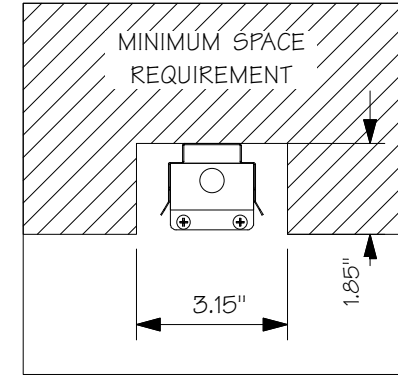
IW = 3000K  
NW = 4300K

LENS CODE: SP = SPREAD  
08D = 8°  
20D = 20°  
40D = 40°

WIRE WITH RED LINE : 24VDC+



VIEW A



NOT TO SCALE

GRADIENT SPECIFICATIONS	
VOLTAGE: 24VDC	
CURRENT: 104mA PER LED	
POWER: 2.5W PER LED	
COLOR: 3000K & 4300K	
OUTPUT: 80Lm PER LED @ 3000K 100Lm PER LED @ 4300K	

\* DRY LOCATION ONLY

\* DIMMABLE ON DMX OR 0/1-10VDC PROTOCOL



**TOKISTAR LIGHTING INC.**

1015 E. DISCOVERY LANE  
ANAHEIM, CA 92801  
TEL: 714 772 7005 FAX: 714 772 7014  
email: info@tokistar.com Website: tokistar.com

NO.	PART	MATERIAL
GRADIENT SERIES SUBMITTAL		
1	COVER	ALUMINUM
2	LED	SOLID-STATE LED
3	BASE	ALUMINUM
4	END PLATE	ABS
5	CABLE	PVC INSULATION WITH PLATED #18 AWG X 2
6	DIMMING CABLE	#18 AWG
7	MOUNTING BRACKET	STAINLESS STEEL
8	END CAP	PVC