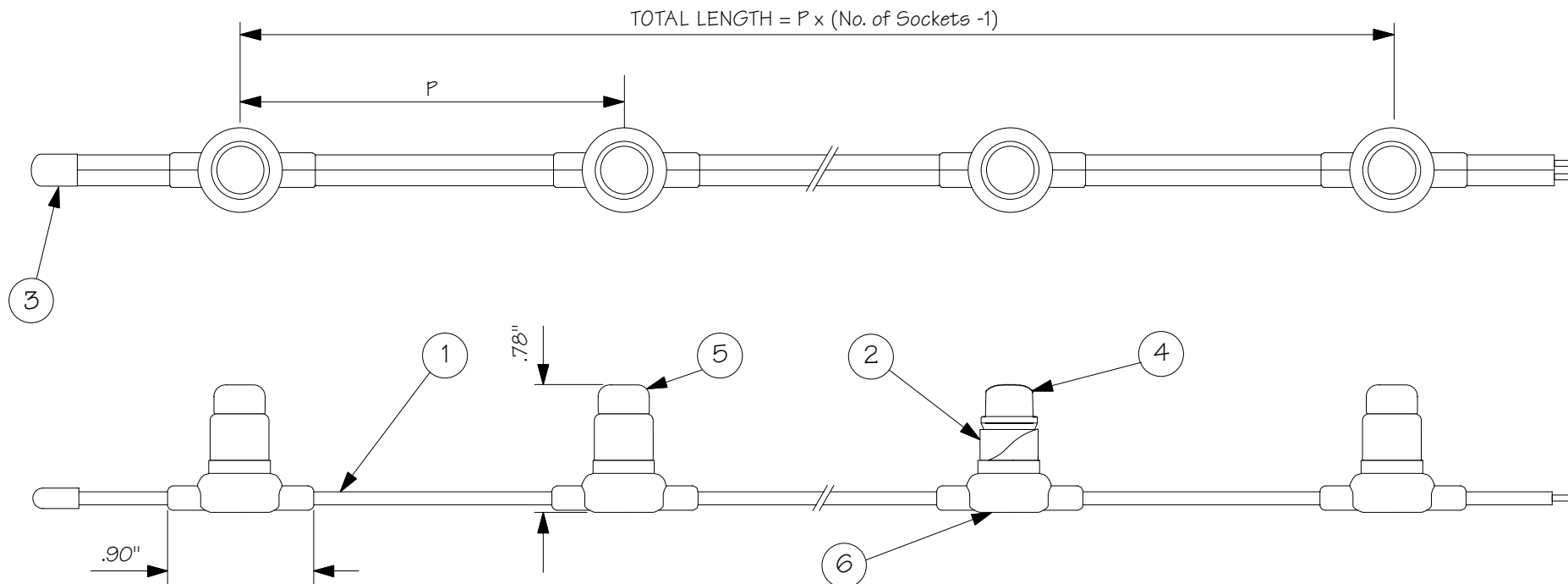


FL SERIES-0.27 WATT STROBE TOKILED®



CATALOG#	P (INCH)	MAX. LENGTH
FLBK-60-(LED CODE)-(WP)	2.4 ± .20	30 FT.
FLBK-110-(LED CODE)-(WP)	4.25 ± .20	48 FT.
FL(BK,WG,GR)-160-(LED CODE)-(WP)	6.25 ± .20	50 FT.
FLBK-210-(LED CODE)-(WP)	8.25 ± .20	65 FT.
FL(BK,WG,GR)-310-(LED CODE)-(WP)	12.25 ± .20	80 FT.
FLBK-410-(LED CODE)-(WP)	16.25 ± .20	90 FT.

STROBE TOKILED® 8VDC/34.0mA			
PART#	LED CODE	COLOR	EFFECT
KLED-WH-ST	KLED-WH-ST	6500K WHITE	STROBE/1.1Hz

CABLE COLOR CODE: BK=BLACK, WG=WARM GREY
 WARM GREY AVAILABLE IN 6.25", 8.25" AND 12.25" ONLY
 WP=OPTIONAL SILICONE CAP FOR OUTDOOR USE



TOKISTAR LIGHTING INC.

1015 E. DISCOVERY LANE
 ANAHEIM, CA 92801
 TEL: 714 772 7005 FAX: 714 772 7014
 email: info@tokistar.com Website: tokistar.com

FL SERIES SUBMITTAL

CATALOG#: FL(BK,WG)-_-KLED-WH-ST-(WP-L02C)

DATE: JANUARY 1, 2015

DRAWN BY: R. CORDOVA

SCALE: 1:1

WEIGHT: 15g/ft.

NO.

PART

MATERIAL

1

WIRE

PVC INSULATION WITH #18 AWG X2

2

LAMP SOCKET

POLYCARBONATE WITH PLATED COPPER CONTACTS

3

END CAP

PVC

4

LED

SOLID STATE LED

5

SILICONE CAP

SILICONE (CLEAR)

6

INSULATION

HOT MELT