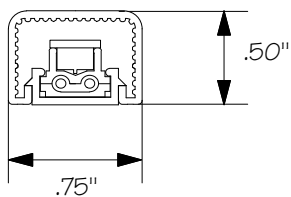
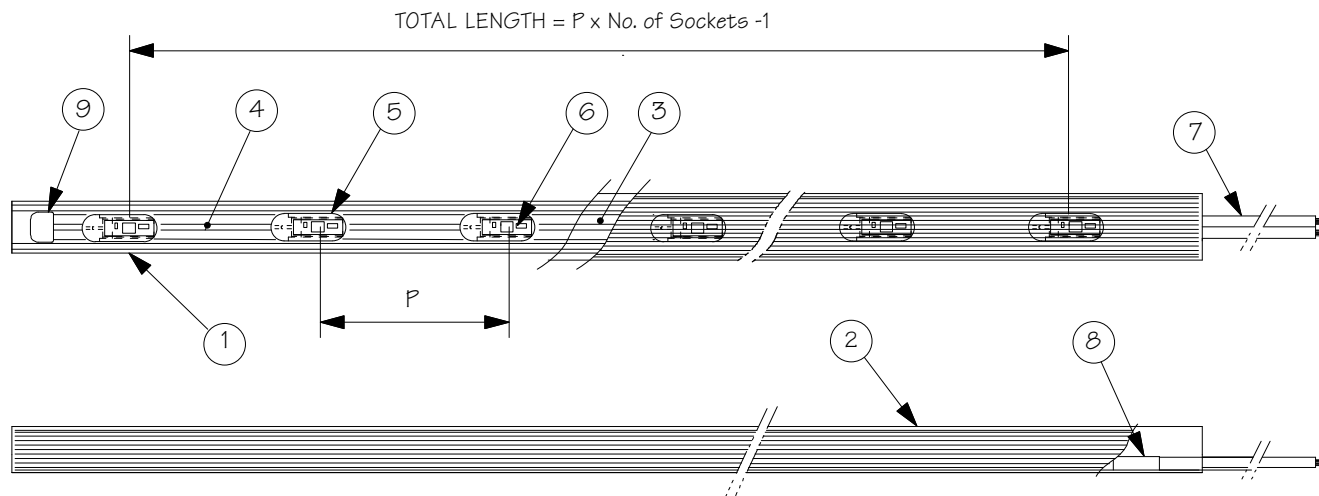


# CT Series-0.2 Watt LED



SCALE: 1:1

| CATALOG#                  | P (INCH)  | MAX. LENGTH |
|---------------------------|-----------|-------------|
| CT(O,L,LD)-30-(LED CODE)  | 1.2 ± .08 | 20 FT.      |
| CT(O,L,LD)-50-(LED CODE)  | 2 ± .08   | 33 FT.      |
| CT(O,L,LD)-80-(LED CODE)  | 3 ± .12   | 50 FT.      |
| CT(O,L,LD)-100-(LED CODE) | 4 ± .16   | 60 FT.      |
| CT(O,L,LD)-150-(LED CODE) | 6 ± .20   | 70 FT.      |

SERIES CODE  
 CTO: NO LENS  
 CTL: WITH CLEAR LENS  
 CTLD: WITH CLEAR LENS AND DIFFUSER

| 0.2 WATT LED 8VDC/25.0mA |          |       |        |
|--------------------------|----------|-------|--------|
| PART#                    | LED CODE | COLOR | LUMEN  |
| CLED-2000K               | 2000K    | 2000K | 4 Lm   |
| CLED-2500K               | 2500K    | 2500K | 5 Lm   |
| CLED-3000K               | 3000K    | 3000K | 5 Lm   |
| CLED-5000K               | 5000K    | 5000K | 6 Lm   |
| CLED-AM                  | AM       | AMBER | 0.7 Lm |
| CLED-BL                  | BL       | BLUE  | 0.6 Lm |
| CLED-GR                  | GR       | GREEN | 1.5 Lm |
| CLED-RD                  | RD       | RED   | 0.9 Lm |



**TOKISTAR LIGHTING INC.**

1015 E. DISCOVERY LANE  
 ANAHEIM, CA 92801  
 TEL: 714 772 7005 FAX: 714 772 7014  
 email: info@tokistar.com Website: tokistar.com

CABLE LIGHTING SERIES SUBMITTAL

CATALOG#: CT\_-- (LED CODE)

DATE: NOVEMBER 5, 2010

DRAWN BY: R. CORDOVA

SCALE: 1:2

WEIGHT: 46g/ft.

| NO. | PART                | MATERIAL                               |
|-----|---------------------|--|
| 1   | BASE                | POLYCARBONATE                          |
| 2   | COVER (OPTIONAL)    | POLYCARBONATE                          |
| 3   | DIFFUSER (OPTIONAL) | POLYESTER                              |
| 4   | CABLE               | PVC INSULATION WITH PLATED #18 AWG x 2 |
| 5   | SOCKET              | POLYCARBONATE                          |
| 6   | LED                 | SOLID STATE LED                        |
| 7   | LEAD WIRE           | PVC INSULATION WITH PLATED #18 AWG x 2 |
| 8   | CORD PROTECTOR      | PVC                                    |
| 9   | END CAP             | PVC                                    |