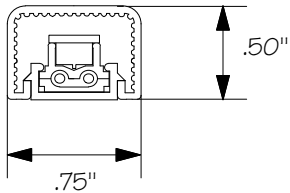
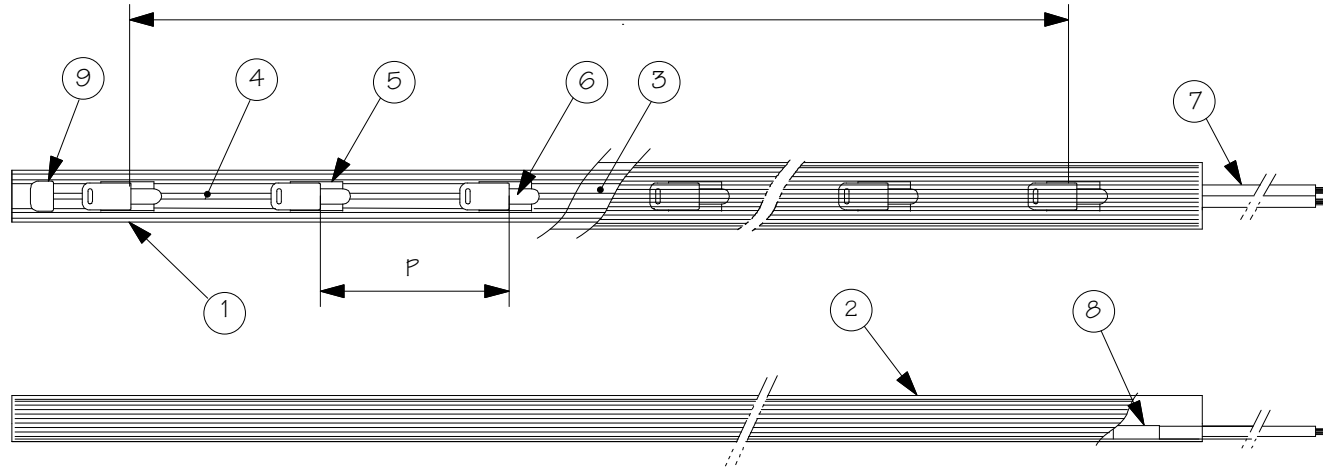


CT Series-0.48 Watt INCANDESCENT LAMP

TOTAL LENGTH = P x No. of Sockets - 1



SCALE: 1:1

CATALOG#	P (INCH)	MAX. LENGTH
CT(O,L,LD)-30-201	1.2 ± .08	12 FT.
CT(O,L,LD)-50-201	2 ± .08	20 FT.
CT(O,L,LD)-80-201	3 ± .12	24 FT.
CT(O,L,LD)-100-201	4 ± .16	30 FT.
CT(O,L,LD)-150-201	6 ± .20	36 FT.

SERIES CODE
 CTO: NO LENS
 CTL: WITH CLEAR LENS
 CTLD: WITH CLEAR LENS AND DIFFUSER

0.48 WATT INCANDESCENT LAMP 12VAC/40mA			
PART#	LAMP CODE	COLOR	LUMEN
CL-201	201	1800K	0.44 Lm



TOKISTAR LIGHTING INC.

1015 E. DISCOVERY LANE
 ANAHEIM, CA 92801
 TEL: 714 772 7005 FAX: 714 772 7014
 email: info@tokistar.com Website: tokistar.com

CABLE LIGHTING SERIES SUBMITTAL

CATALOG#: CT_-- 201

DATE: NOVEMBER 5, 2010

DRAWN BY: R. CORDOVA

SCALE: 1:2

WEIGHT: 46g/ft.

NO.	PART	MATERIAL
1	BASE	POLYCARBONATE
2	COVER (OPTIONAL)	POLYCARBONATE
3	DIFFUSER (OPTIONAL)	POLYESTER
4	CABLE	PVC INSULATION WITH PLATED #18 AWG x 2
5	SOCKET	POLYCARBONATE
6	LAMP	INCANDESCENT LAMP
7	LEAD WIRE	PVC INSULATION WITH PLATED #18 AWG x 2
8	CORD PROTECTOR	PVC
9	END CAP	PVC