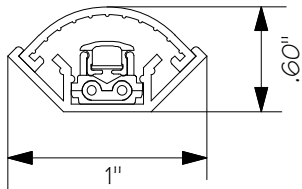
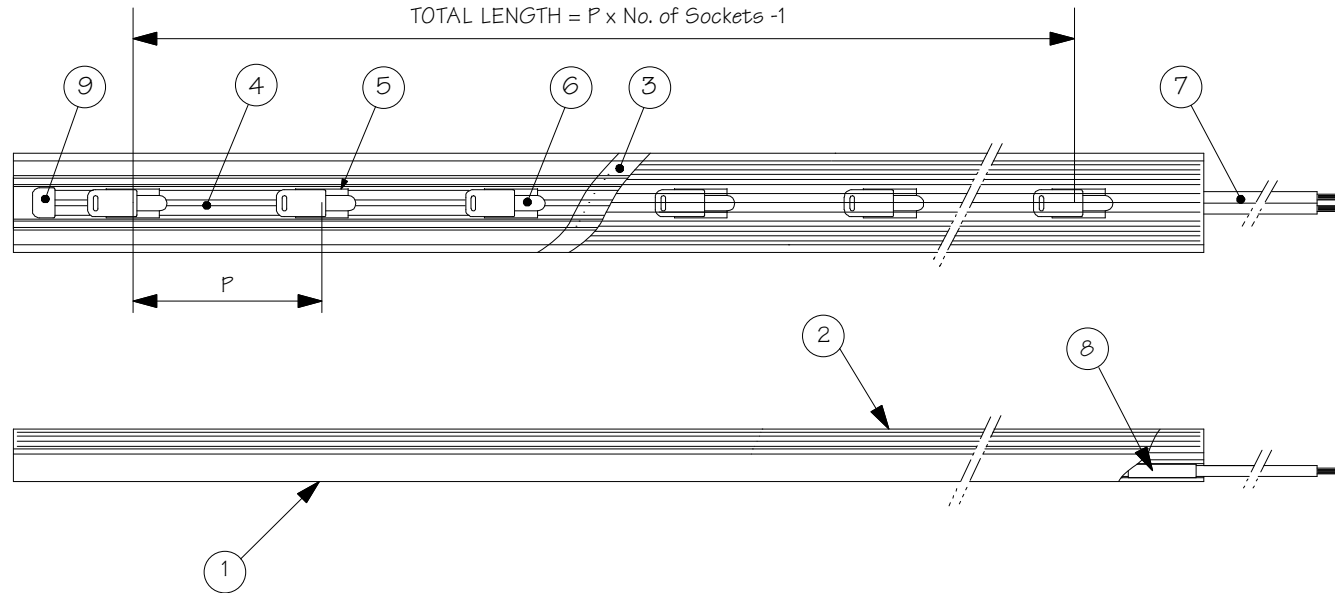


CR Series-0.90 Watt INCANDESCENT LAMP



SCALE: 1:1

CATALOG#	P (INCH)	MAX. LENGTH
CR(O,L,LD)-30-202	1.2 ± .08	6 FT.
CR(O,L,LD)-50-202	2 ± .08	11 FT.
CR(O,L,LD)-80-202	3 ± .12	16 FT.
CR(O,L,LD)-100-202	4 ± .16	21 FT.
CR(O,L,LD)-150-202	6 ± .20	26 FT.

SERIES CODE
 CRO : NO LENS
 CRL : WITH CLEAR LENS
 CRLD : WITH CLEAR LENS AND DIFFUSER

0.90 WATT INCANDESCENT LAMP 12VAC/75mA			
PART#	LAMP CODE	COLOR	LUMEN
CL-202	202	2000K	2.1 Lm



TOKISTAR LIGHTING INC.

1015 E. DISCOVERY LANE
 ANAHEIM, CA 92801
 TEL: 714 772 7005 FAX: 714 772 7014
 email: info@tokistar.com Website: tokistar.com

CABLE LIGHTING SERIES SUBMITTAL

CATALOG#: CR_--202

DATE: NOVEMBER 5, 2010

DRAWN BY: R. CORDOVA

SCALE: 1:2

WEIGHT: 58g/ft.

NO.	PART	MATERIAL
1	BASE	POLYCARBONATE
2	COVER (OPTIONAL)	POLYCARBONATE
3	DIFFUSER (OPTIONAL)	POLYESTER
4	CABLE	PVC INSULATION WITH PLATED #18 AWG x 2
5	SOCKET	POLYCARBONATE
6	LAMP	INCANDESCENT LAMP
7	LEAD WIRE	PVC INSULATION WITH PLATED #18 AWG x 2
8	CORD PROTECTOR	PVC
9	END CAP	PVC