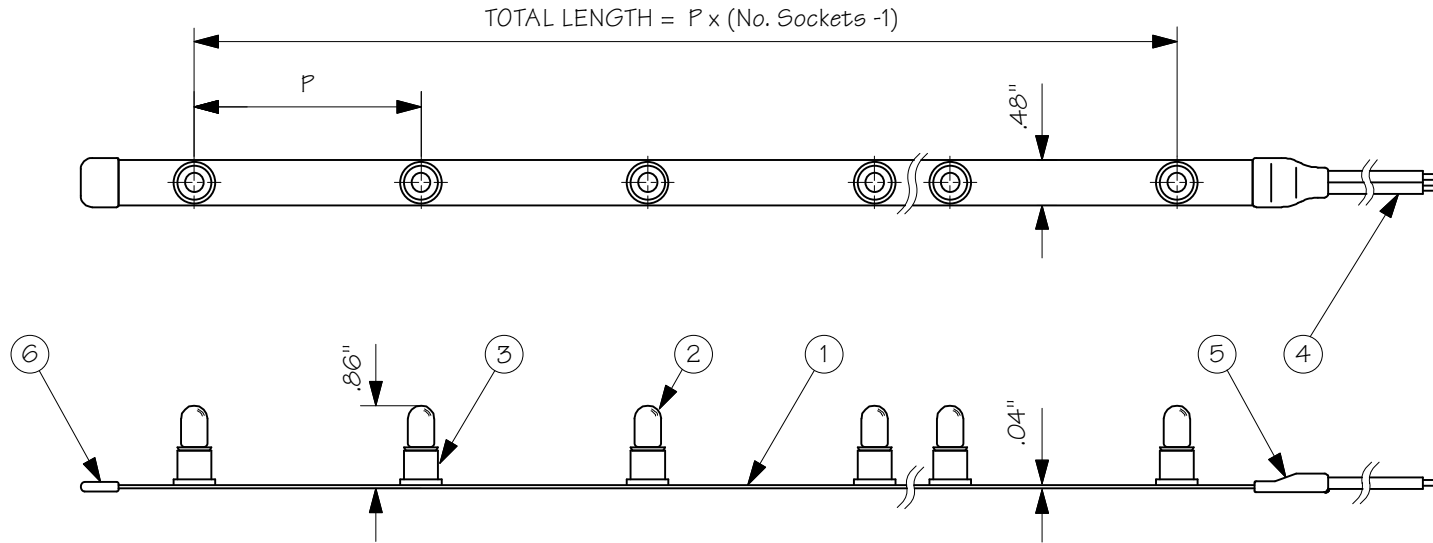


TLP-1.8 Watt Incandescent



CATALOG#	P (INCH)	MAX. LENGTH
TLP-30-105	1.2 ± .08	8 FT.
TLP-50-105	2 ± .08	14 FT.
TLP-80-105	3 ± .12	20 FT.
TLP-100-105	4 ± .16	22 FT.
TLP-150-105	6 ± .20	28 FT.

1.8 WATT LAMP 24VAC/75.0mA			
PART #	LAMP CODE	COLOR	LUMEN
TB-105	105	2000K WHITE	3.8Lm



TOKISTAR LIGHTING INC.

1561 N. GEMINI PL.
ANAHEIM, CA 92801
TEL: 714 772 7005 FAX: 714 772 7014
email: info@tokistar.com Website: tokistar.com

TAPELIGHT SERIES SUBMITTAL	NO.	PART	MATERIAL
CATALOG#: TLP_-_105	1	CABLE	PVC INSULATION WITH PLATED COPPER CONDUCTOR
DATE: NOVEMBER 3, 2008	2	LAMP	INCANDESCENT LAMP
DRAWN BY: R. CORDOVA	3	LAMP SOCKET	POLYCARBONATE WITH PLATED COPPER CONTACTS
SCALE: 1:2	4	LEAD WIRE	PVC INSULATION WITH PLATED #18 AWG X 2
WEIGHT: 21g/ft.	5	CORD PROTECTOR	PVC
	6	END CAP	PVC