



TOKISTAR® LIGHTING INC.

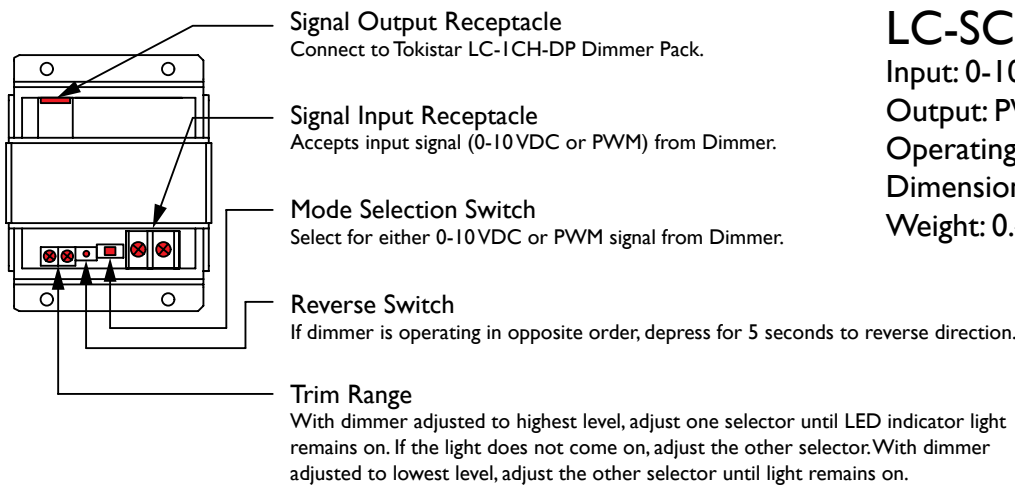
# DIMMING CONVERTER

## New from Tokistar



Tokistar's LC-SC Signal Converter provides the convenient means to operate our LED Systems operating at DC Voltages from industry-standard dimmers producing a 0-10VDC control signal.

This device is exclusively for use with our LC-1CH-DP dimmer packs and LED Drivers. The control signal from other manufacturer's dimmers is connected to a single converter which is connected to the first dimmer pack. An unlimited number of dimmer packs can be operated using a single signal converter.



### LC-SC Specifications

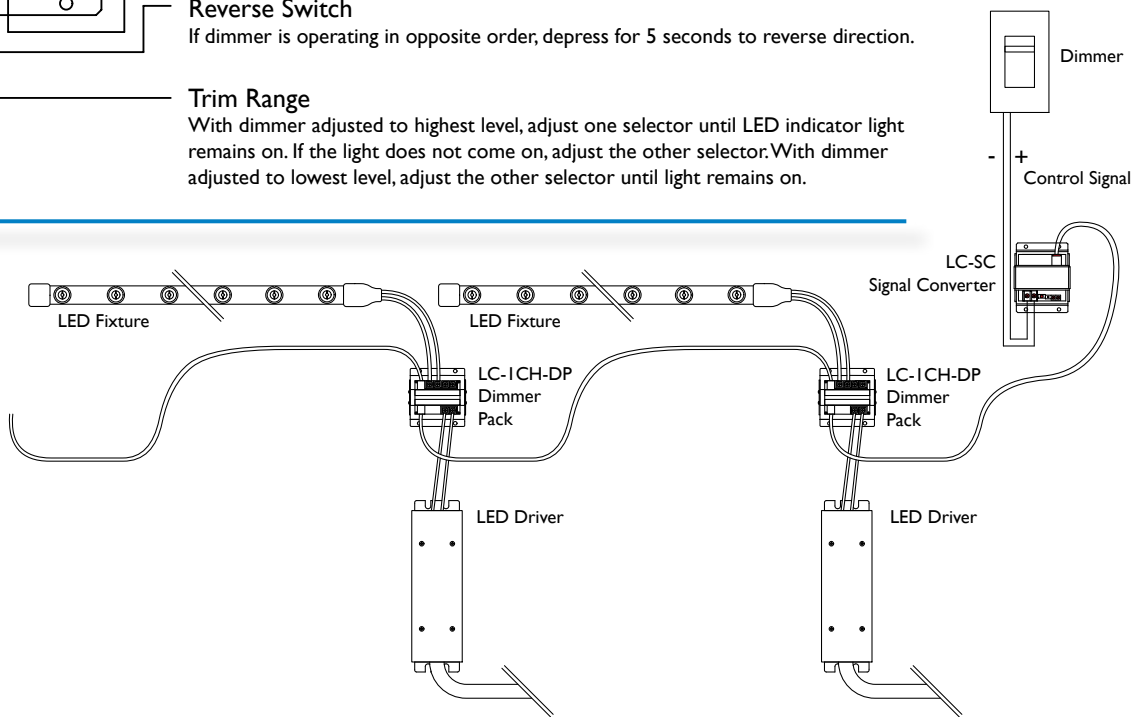
Input: 0-10VDC Control Signal

Output: PWM Control Signal

Operating Temp: -20°C to + 60°C

Dimensions: 1-3/8" x 3-1/4" x 4"

Weight: 0.45 lbs.



TOKISTAR® LIGHTING INC.

1561 N. Gemini Place • Anaheim, CA 92801

Tel: 714.772.7005 • Fax: 714.772.7014 • Toll free in U.S.A.: 877.340.7633

E-mail: info@tokistar.com • Web site: www.tokistar.com