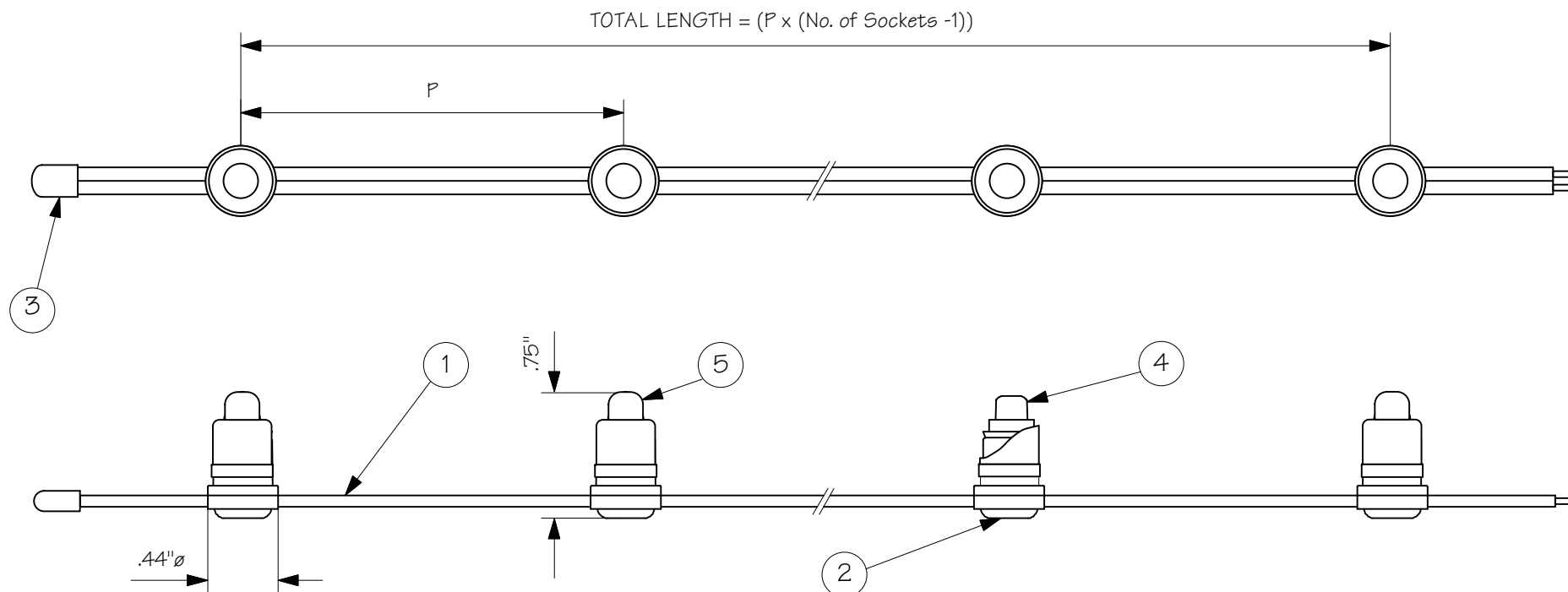


FL Series-0.2 Watt TOKILEDS®



CATALOG#	P (INCH)	MAX. LENGTH
FLBK-60-(LED CODE)-(WP)	2.4 ± .20	40 FT.
FLBK-110-(LED CODE)-(WP)	4.25 ± .20	63 FT.
FL(BK,WG,GR)-160-(LED CODE)-(WP)	6.25 ± .20	75 FT.
FLBK-210-(LED CODE)-(WP)	8.25 ± .20	87 FT.
FL(BK,WG,GR)-310-(LED CODE)-(WP)	12.25 ± .20	106 FT.
FLBK-410-(LED CODE)-(WP)	16.25 ± .20	122 FT.

0.2 WATT TOKILEDS® 8VDC/25.0mA				
PART #	LED CODE	COLOR	LUMEN	WAVELENGTH
TLED-WW-HB	WW-HB	2400K WHITE	2.4Lm	589.5
TLED-IW-HB	IW-HB	3000K WHITE	2.6Lm	574.1
TLED-WH-HB	WH-HB	6500K WHITE	3.2Lm	480.1

CABLE COLOR CODE: BK=BLACK, WG=WARM GREY, GR=GREEN
 WARM GREY AND GREEN AVAILABLE IN 6.25" AND 12.25" ONLY
 WP=OPTIONAL SILICONE CAP FOR OUTDOOR USE



TOKISTAR LIGHTING INC.

1561 N. GEMINI PL.
 ANAHEIM, CA 92801
 TEL: 714 772 7005 FAX: 714 772 7014
 email: info@tokistar.com Website: tokistar.com

FL SERIES SUBMITTAL	NO.	PART	MATERIAL
CATALOG#: FL_-(LED CODE)-(WP)	1	WIRE	PVC INSULATION WITH #18 AWG X2
DATE: NOVEMBER 3, 2008	2	LAMP SOCKET	POLYCARBONATE WITH PLATED COPPER CONTACTS
DRAWN BY: R. CORDOVA	3	END CAP	PVC
SCALE: 1:1	4	LED	SOLID STATE LED
WEIGHT: 15g/ft.	5	SILICONE CAP	SILICONE (CLEAR)