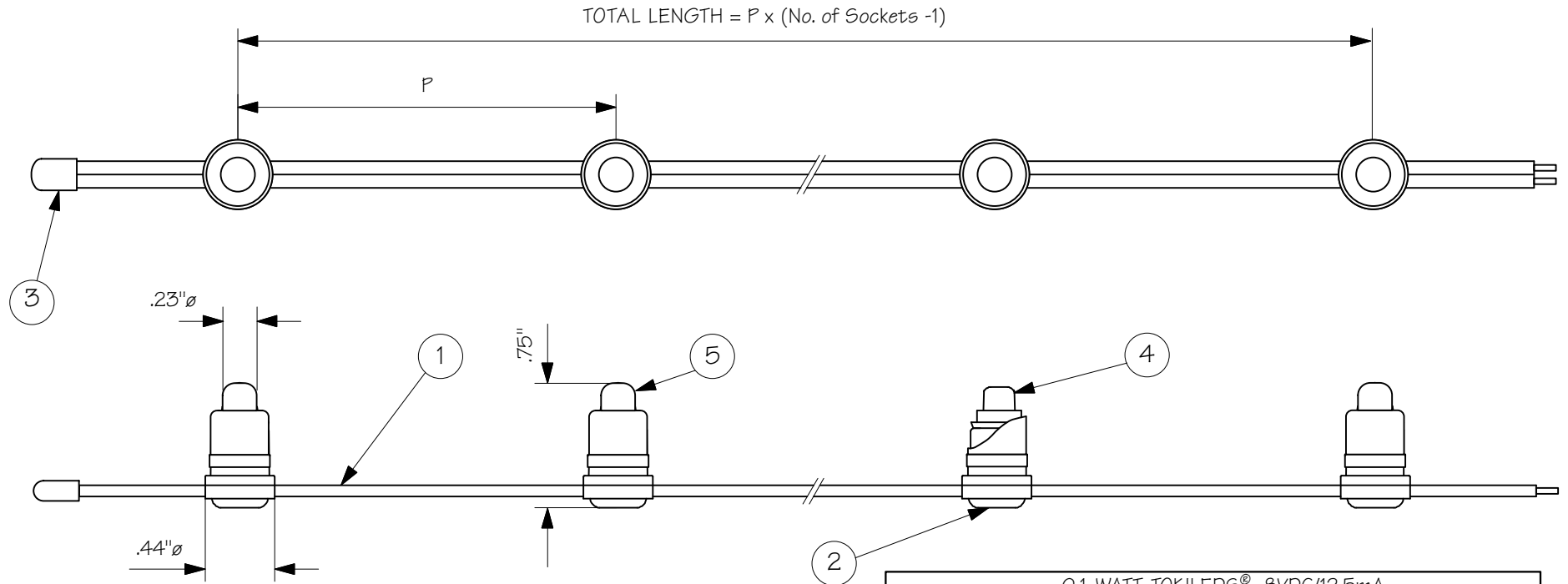


FL Series-0.1 Watt TOKILED[®]S



CATALOG#	P (INCH)	MAX. LENGTH
FLBK-60-(LED CODE)-(WP)	2.4 ± .20	63 FT.
FLBK-110-(LED CODE)-(WP)	4.25 ± .20	84 FT.
FL(BK,WG,GR)-160-(LED CODE)-(WP)	6.25 ± .20	101 FT.
FLBK-210-(LED CODE)-(WP)	8.25 ± .20	116 FT.
FL(BK,WG,GR)-310-(LED CODE)-(WP)	12.25 ± .20	142 FT.
FLBK-410-(LED CODE)-(WP)	16.25 ± .20	164 FT.

CABLE COLOR CODE: BK=BLACK, WG=WARM GREY, GR=GREEN
 WARM GREY AND GREEN AVAILABLE IN 6.25" AND 12.25" ONLY
 WP=OPTIONAL SILICONE CAP FOR OUTDOOR USE

0.1 WATT TOKILED [®] S 8VDC/12.5mA				
PART #	LED CODE	COLOR	LUMEN	WAVELENGTH
TLED-WW	WW	2400K WHITE	0.9Lm	590.2
TLED-IW	IW	3000K WHITE	1.0Lm	577.0
TLED-WH	WH	6500K WHITE	1.4Lm	480.5
TLED-AM	AM	AMBER	0.3Lm	588.6
TLED-BL	BL	BLUE	0.4Lm	469.9
TLED-GR	GR	GREEN	1.8Lm	525.3
TLED-MG	MG	MAGENTA	0.4Lm	573.0
TLED-PL	PL	PURPLE	0.4Lm	578.9
TLED-RD	RD	RED	0.3Lm	625.4



TOKISTAR LIGHTING INC.

1561 N. GEMINI PL.
 ANAHEIM, CA 92801
 TEL: 714 772 7005 FAX: 714 772 7014
 email: info@tokistar.com Website: tokistar.com

FL SERIES SUBMITTAL

CATALOG#: FL_-(LED CODE)-(WP)

DATE: NOVEMBER 3, 2008

DRAWN BY: R. CORDOVA

SCALE: 1:1

WEIGHT: 15g/ft.

NO.	PART	MATERIAL
1	WIRE	PVC INSULATION WITH #18 AWG X2
2	LAMP SOCKET	POLYCARBONATE WITH PLATED COPPER CONTACTS
3	END CAP	PVC
4	LED	SOLID STATE LED
5	SILICONE CAP	SILICONE (CLEAR)