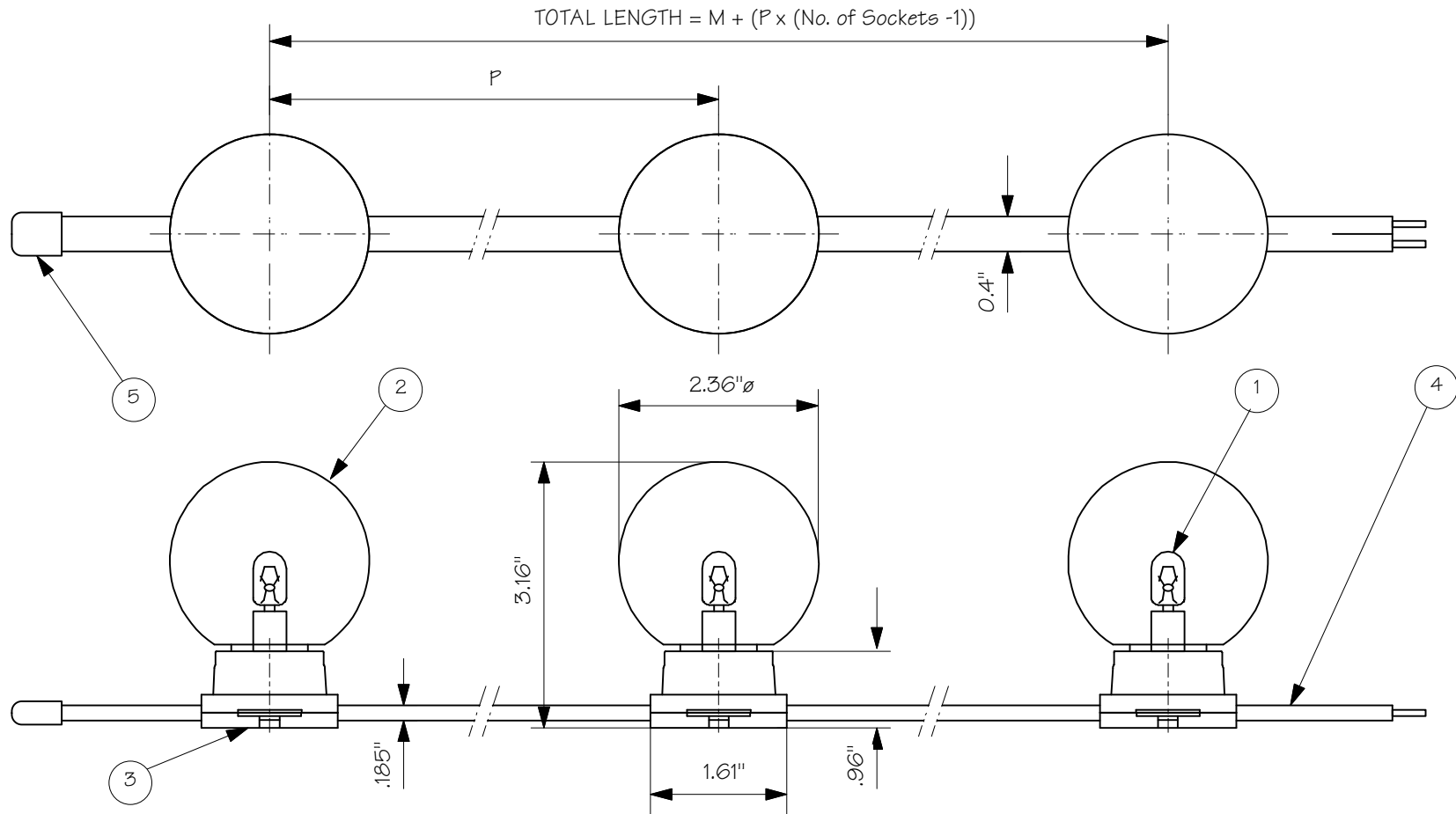


# Exhibitor Series-7.5 Watt Xenon Lamp



CATALOG#	P(INCH)	MAXIMUM LENGTH
EX(BK,WH)-6-124	6 ± .075	36'
EX(BK,WH)-12-124	12 ± .075	56'
EX(BK,WH)-18-124	18 ± .075	72'
EX(BK,WH)-24-124	24 ± .075	80'

7.5 WATT XENON LAMP 24VAC/313mA			
PART#	LAMP CODE	COLOR	LUMEN
EX-124	124	2500K	65Lm

CABLE COLOR CODE: BK=BLACK, WH=WHITE



## TOKISTAR LIGHTING INC.

1561 N. GEMINI PL.  
ANAHEIM, CA 92801  
TEL: 714 772 7005 FAX: 714 772 7014  
email: info@tokistar.com Website: tokistar.com

EXHIBITOR SERIES SUBMITTAL	NO.	PART	MATERIAL
CATALOG#: EX_ _-124	1	LAMP	XENON-GAS LAMP
DATE: NOVEMBER 3, 2008	2	GLOBE	POLYCARBONATE
DRAWN BY: R. CORDOVA	3	SOCKET	PBT
SCALE: 1:2	4	WIRE	PVC #12 AWG STRANDED AND PLATED WIRE
WEIGHT: 80g/PER SOCKET	5	END CAP	PVC