



TOKISTAR LIGHTING INSTRUCTION MANUAL

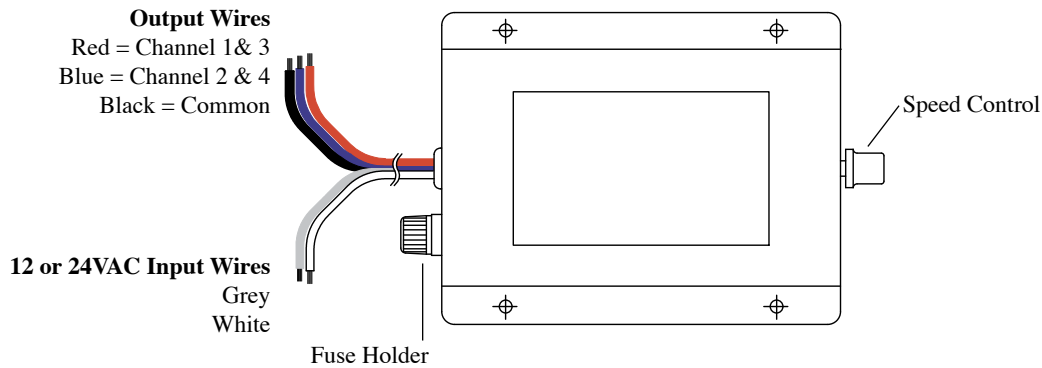
TC-400BB

Bi-Bulb® Controller

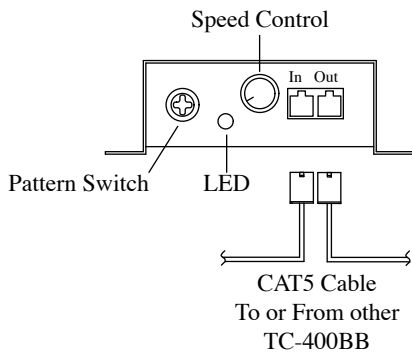
General Description

Tokistar's Bi-Bulb Controller is used in conjunction with TLW Series Tapelight. It accepts a 12 VAC input for controlling TokiLeds or a 24 VAC input for controlling our BB-301 incandescent lamps.

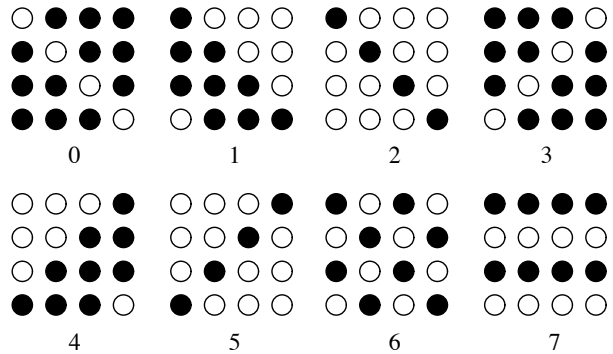
Top View:



Front View:



Pattern Selection



PRECAUTIONS

1. Read all instructions completely before beginning installation.
2. Turn off electricity before beginning installation.
3. All wiring is to be performed by a qualified electrician.
4. Installation must comply with the National Electrical Code, and all applicable codes.
5. Turn main supply to the LED Driver on only after all connections are made and tested.
6. Use only Class 2 Transformers provided by Tokistar with the system.

TOKISTAR LIGHTING

1015 E. Discovery Lane
 Anaheim, CA 92801
 TEL: 714 772 7005 FAX: 714 772 7014
 email: info@tokistar.com Website: tokistar.com