



TOKISTAR LIGHTING INSTRUCTION MANUAL

C2-240-12V 12 VOLT/240 WATT TRANSFORMER

General

This transformer is to be installed in accordance with Article 450 of the National Electrical Code. The transformer must be installed in a well ventilated area free from explosive gases and vapors. Proper operation requires the free flow of air. Only a qualified electrician should install this hard wired transformer.

Precautions Before Installing

Check the label and ensure the transformer has the proper input voltage, output voltage and wattage for the job. Check the wire markings to ensure they match the wiring diagram on this instruction sheet.

Mounting

Select a suitable location capable of supporting the weight of the transformer. Use the four keyholes provided on the mounting flanges. The transformer must be mounted vertically with the wiring compartment pointing down.

Input Connections/Grounding

Remove the wiring compartment knockouts and install strain reliefs. With the power turned off, route the input wires through a strain relief and connect one wire to H-1 Hot and one to H-2 Common. For all wire connections use only UL Listed wire nuts and connectors of suitable size and type.

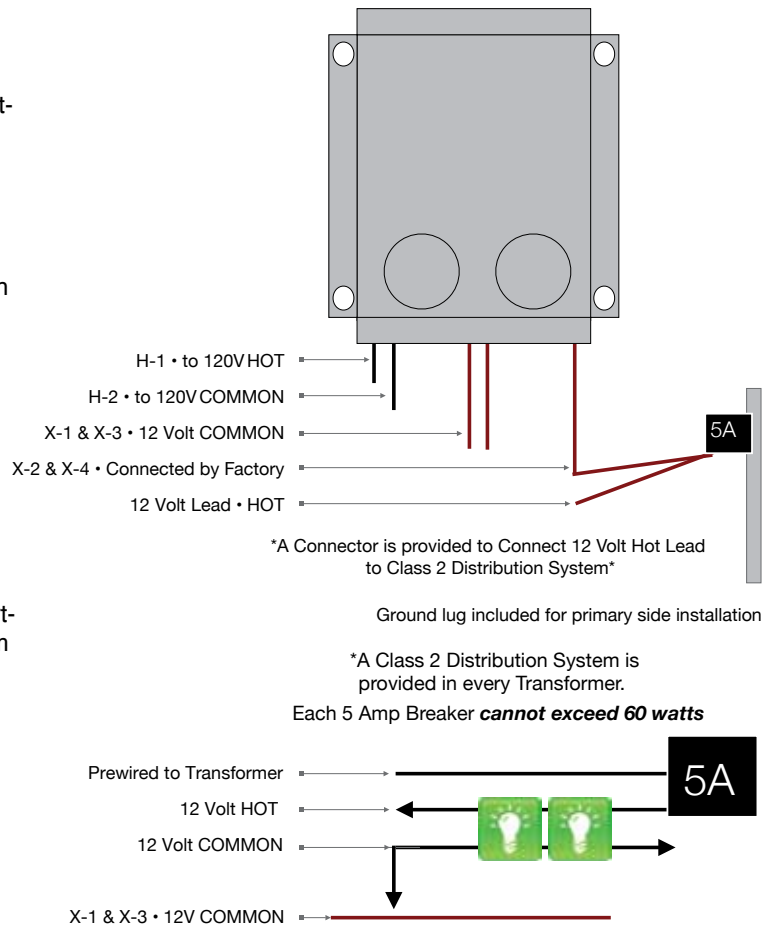
The transformer **MUST** be grounded in accordance with the N.E.C.

Output Connections

With all unused leads insulated, turn the power to the unit on. Check the secondary voltage to be sure it is right for the load. Turn power to the transformer off. Remove the wiring compartment knockouts and install strain reliefs for the lead wires from the lighting fixtures. Lighting fixture leads should be routed through the strain relief, connect one wire to the 12 Volt Hot and one to the 12 Volt Common.

Transformer Data

Input Voltage	120 VAC / 60Hz
Output Voltage	12 VAC
Capacity (Watts)	240 VA
Installed Breakers (s)	4 Breakers
Weight	13 Pounds



TOKISTAR LIGHTING

1015 E. DISCOVERY LANE ANAHEIM, CA 92801
TEL: 714 772 7005 FAX: 714 772 7014
E-mail: info@tokistar.com Web site: www.tokistar.com